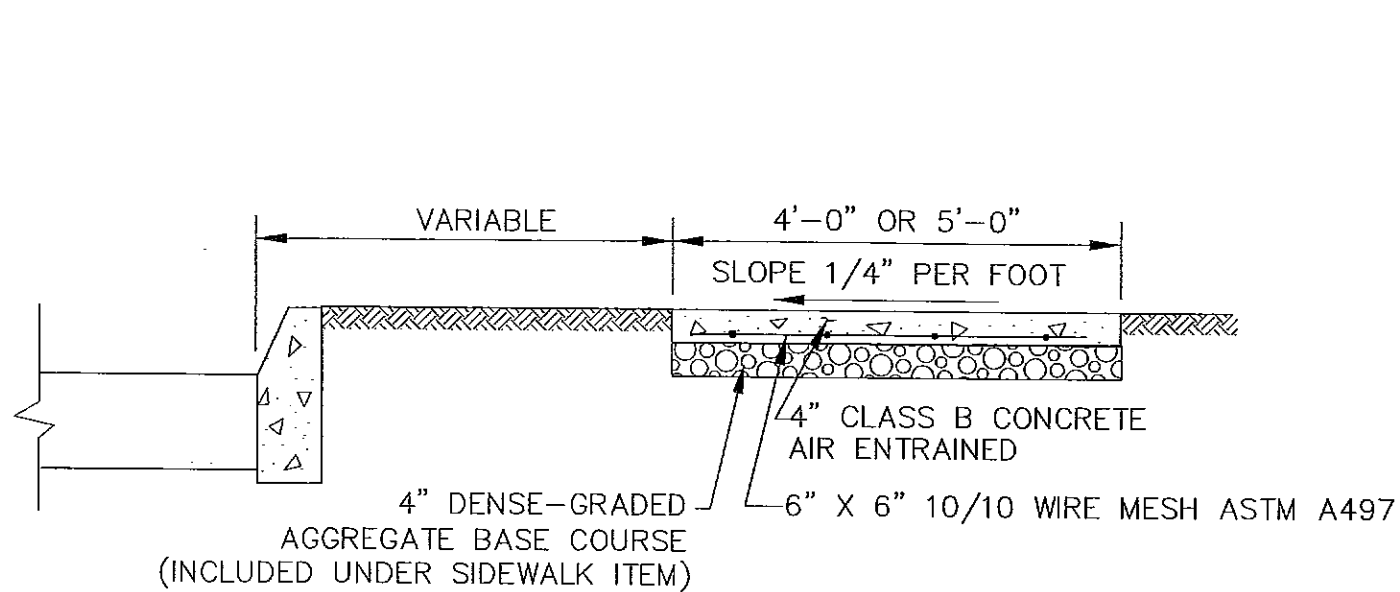


DETAIL SHEET PROVIDED TO BERGENFIELD SPECIAL IMPROVEMENT DISTRICT, INC. FOR USE IN COMPLETING BSID CONCRETE SIDEWALK REPLACEMENT GRANT PROGRAM.

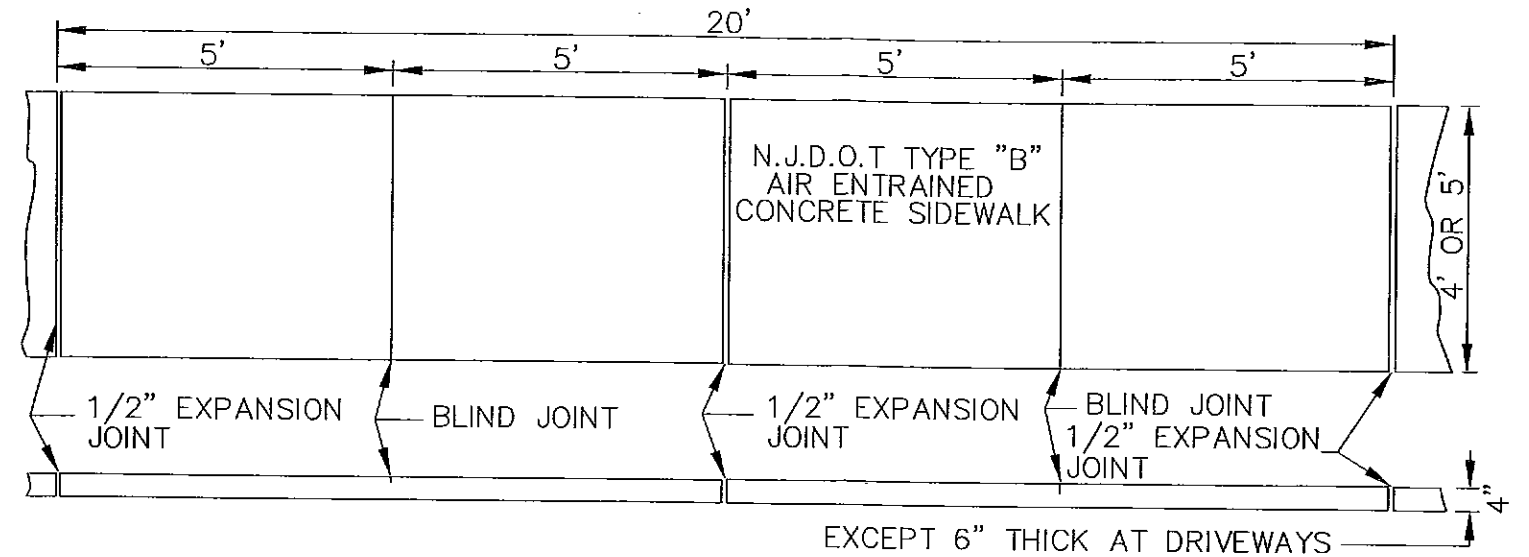


PROVIDE 1/2" PREFORMED EXPANSION JOINT FILLER, 4" DEPTH AT 10' ± O.C.

CONCRETE SIDEWALK, 4" THICK

N.T.S.

NOTE:
ALL CONCRETE SURFACES SHALL BE TREATED WITH A CONCRETE CURING AND SEALING COMPOUND CONFORMING WITH SECTION 905.03 CURING MATERIALS, NJDOT STANDARD SPECIFICATIONS FOR ROAD AND BRIDGE CONSTRUCTION, 2001.



- NOTE:
1. SUBGRADE IS TO BE IN A MANNER SUITABLE TO THE MUNICIPAL ENGINEER.
 2. EXPANSION JOINTS ARE TO BE 1/2" WIDE AND FILLED WITH PREFORMED HOT MIX ASPHALT TYPE JOINT FILLER. THE TOP OF ALL JOINT FILLER SHALL BE 1/4" BELOW THE TOP OF THE SURFACE EXPANSION JOINT SHALL BE LOCATED 10' ON CENTER.
 3. BLIND JOINTS ARE TO BE SURFACE GROVES CUT INTO SIDEWALK 1/2" DEEP, AND SHALL BE LOCATED 10' ON CENTER.
 4. CONTRACTOR SHALL COMPLY WITH SECTION 607.06 OF THE NJDOT SPECIFICATION.
 5. FOR SIDEWALK SECTIONS WIDER THAN 5', THE APPLICANT SHALL PROVIDE THE MUNICIPAL ENGINEER WITH A DETAIL SHOWING JOINT PATTERN (BOTH BLIND AND EXPANSION JOINTS) FOR APPROVAL.
 6. ALL EDGES SHALL BE FINISHED AND ROUNDED WITH AN EDGING TOOL HAVE A RADIUS OF 1/4 INCH.
 7. THE SURFACE OF THE CONCRETE SHALL BE SO FINISHED AS TO DRAIN COMPLETELY AT ALL TIMES.
 8. CONCRETE SHALL BE STRUCK OFF WITH A TRANSVERSE TEMPLATE AND FINISHED WITH FLOATS AND STRAIGHT EDGES UNTIL A SMOOTH SURFACE HAS BEEN OBTAINED.

TYPICAL SIDEWALK SECTION

N.T.S.

NO.	DATE	DESCRIPTION	SURVEYED BY	DRAWN BY	DESIGNED BY	CHECKED BY

Boswell McClave ENGINEERING
 ENGINEERS - SURVEYORS - PLANNERS - SCIENTISTS
 330 PHILLIPS AVENUE, SOUTH HACKENSACK, N.J. 07606
 TEL: (201) 641-0770 • FAX: (201) 641-1831
 N.J. CERTIFICATE OF AUTHORIZATION NO. 24GA27958000

STEPHEN T. BOSWELL

PROFESSIONAL ENGINEER N.J. LIC. 34680

JOSEPH A. POMANTE

Joseph A. Pomante
 PROFESSIONAL ENGINEER N.J. LIC. 43137

SIDEWALK DETAIL SHEET
 BOROUGH OF BERGENFIELD
 BERGEN COUNTY NEW JERSEY

SURVEYED BY	DESIGNED BY	SCALE:	JOB NO.	DATE
DRAWN BY JAM	CHECKED BY JAP	N.T.S.	BF-208	3/24/09

CADD FILE: Sidewalk Details SHEET 1 of 1